

FCI CONFIDENTIAL

This document is the property of and embodies CONFIDENTIAL and PROPRIETARY information of FCI. No part of the information shown on this document may be used in any way or disclosed to others without the written consent of FCI. Copyright FCI.

PRODUCT NUMBER
10075025-X01-XXXLF

PLATING

LEAD FREE
RoHS COMPATIBLE
NOTE 6

PACKAGING
NOTE 5

TOTAL NUMBER OF
POSITIONS, 04 TO 50

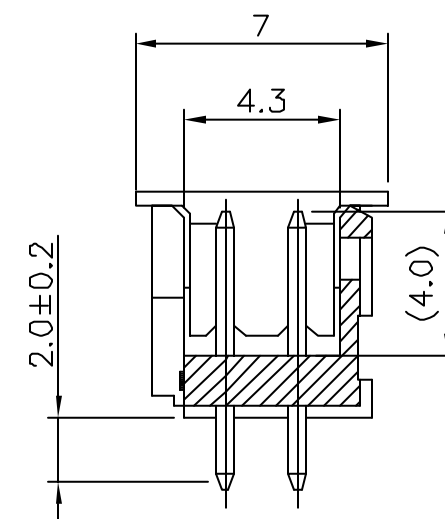
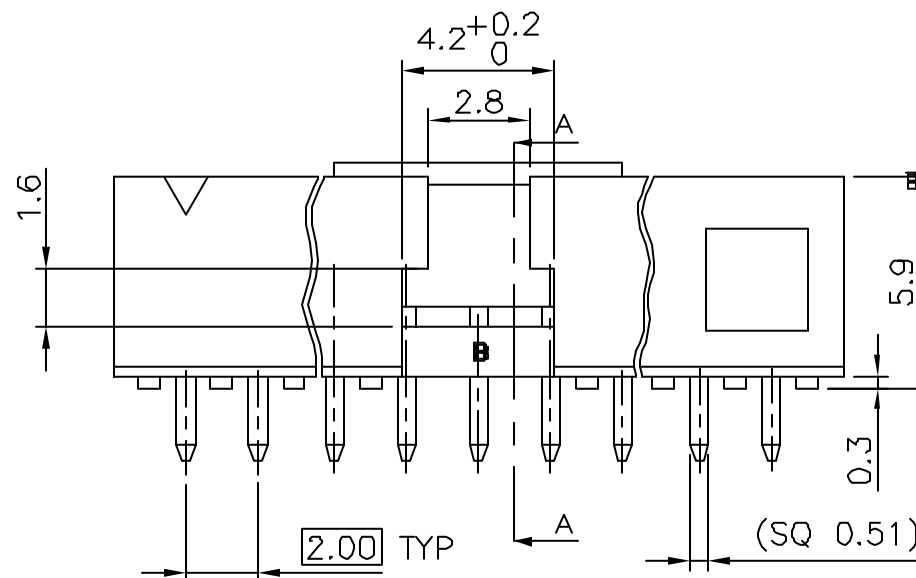
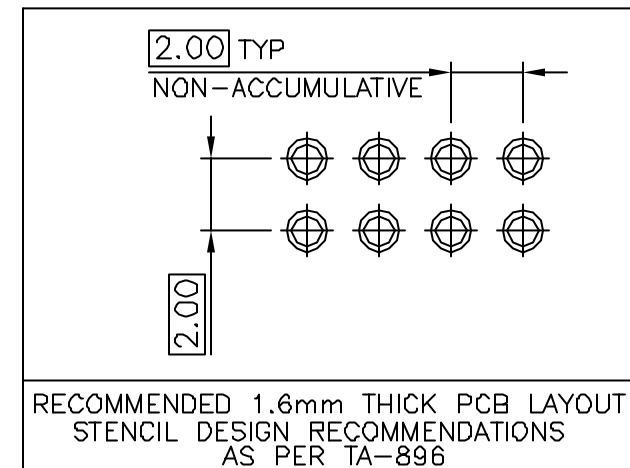
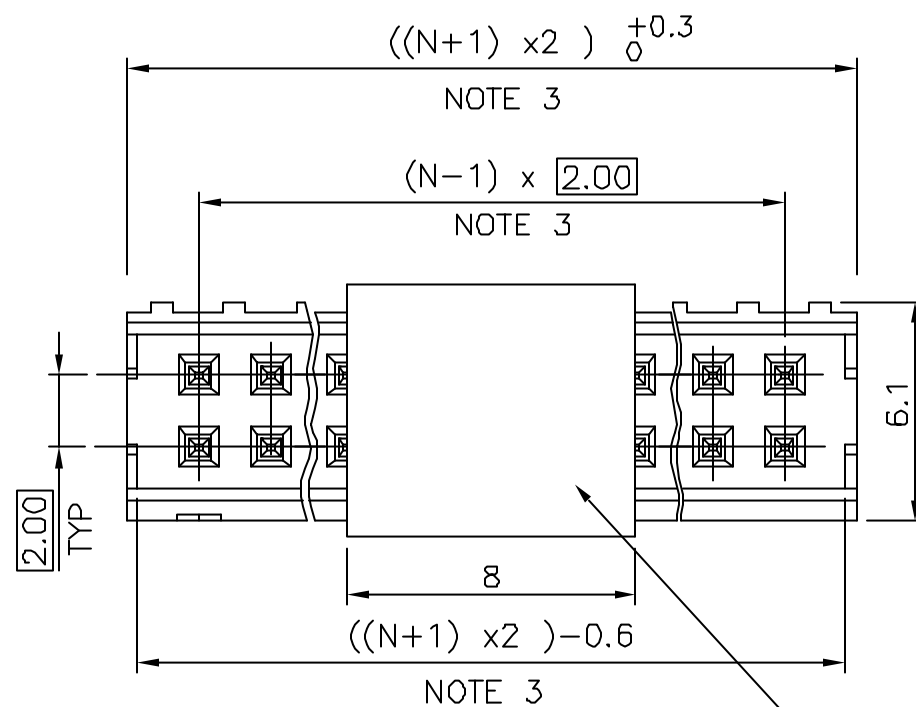
S = 0.38μm GOLD/GXT ON CONTACT AREA
2μm MIN MATTE TIN ON TAIL
OVER 1.27μm MIN NICKEL

G = 0.76μm GOLD/GXT ON CONTACT AREA
2μm MIN MATTE TIN ON TAIL
OVER 1.27μm MIN NICKEL

F = GOLD FLASH ON CONTACT AREA
2μm MIN MATTE TIN ON TAIL
OVER 1.27μm MIN NICKEL

NOTES:

1. MATERIAL HOUSING: HIGH TEMP. THERMOPLASTIC
UL 94V-0, COLOR BLACK
2. MATERIAL TERMINAL: COPPER ALLOY
3. TO DETERMINE DIMENSIONS:
N = NUMBER OF POSITIONS PER ROW
4. 7N MIN. PIN RETENTION IN EITHER DIRECTION.
5. PACKAGING:
= PLASTIC BOX
U = TUBE AVAILABLE FROM 03 TO 25 POS PER ROW
A = TAPE & REEL WITH PICK UP CAP INSTALLED
SEE TA-884 FOR PRODUCT AVAILABILITY
6. RoHS COMPATIBLE PRODUCT SPECIFICATIONS
 - a - PLATING:
- "LF" MEANS THE PRODUCT IS LEAD-FREE,
2μm MINIMUM MATTE TIN OVER 1.27μm
MINIMUM NICKEL UNDERPLATE.
 - b - MANUFACTURING PROCESS COMPATIBILITY
- THE HOUSING WILL WITHSTAND EXPOSURE TO
260°C PEAK TEMPERATURE FOR 30 SECONDS MAX
IN A CONVECTION, INFRA-RED, OR VAPOR PHASE
OR REFLOW OVEN
 - c - LABELLING:
- MEETS PACKAGING SPECS AS PER GS-14-920
 - d - LEGAL STATEMENT: SEE GS-22-008



mat'l. code				surface	tolerance	projection	product family
				ISO 1302	ISO 406	ISO 1101	MINITEK
Ltr	ecn no	dr	date	tolerances unless otherwise specified		mm	title
A	F06-0326	LMU	07.01.04	angles	.X ±0.3		SHR HEADER
B	F07-0129	LMU	07.02.13	linear	.XX ±0.13	scale 1:1	2.00 mm VERTICAL PIP
C	F08-0113	LMU	08.01.17		.XXX ±0.05		
D	F08-0145	ELA	15.04.08	dr	LMULIN	07.01.04	dwg no
E	F08-0222	LMU	08.09.15	enfr	J.COMPAGNON	07.01.04	sheet 1 of 2
				chr			size
				appd	JM.C	07.01.04	10075025
							A3
							type
							CUSTOMER Drawing
sheet index	revision sheet	E	A				
		1	2				

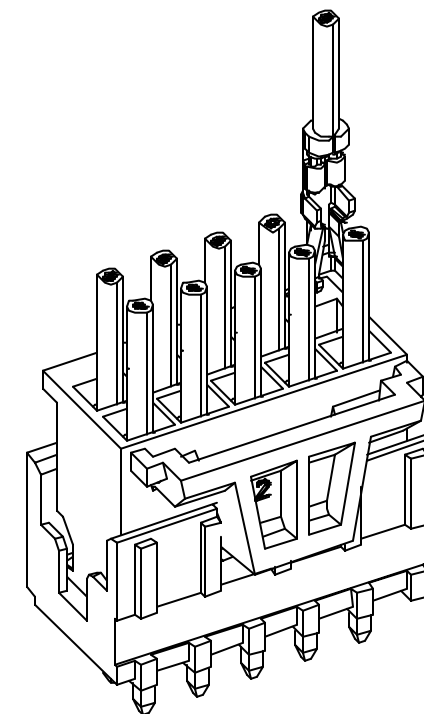
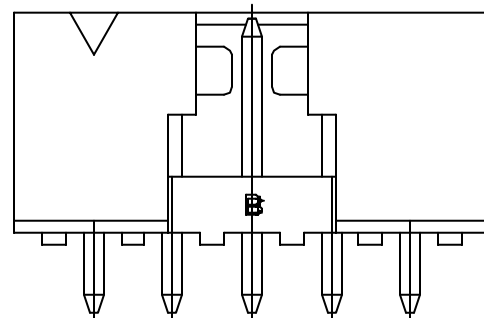
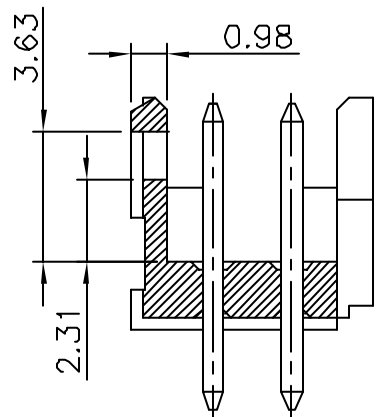
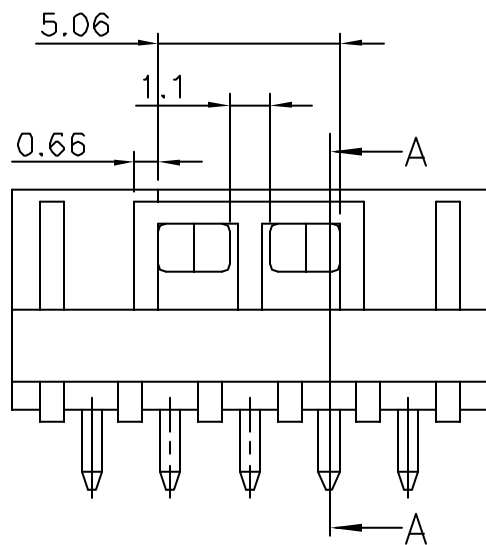
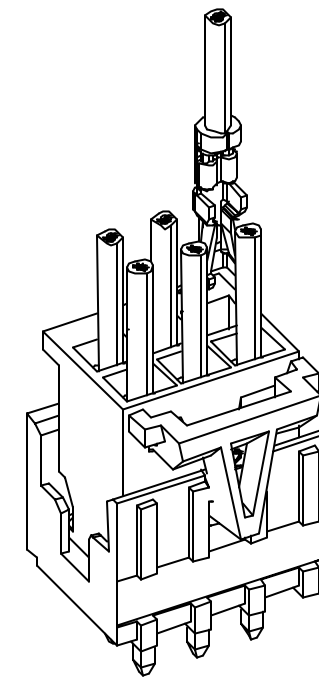
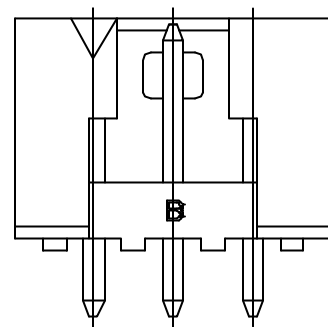
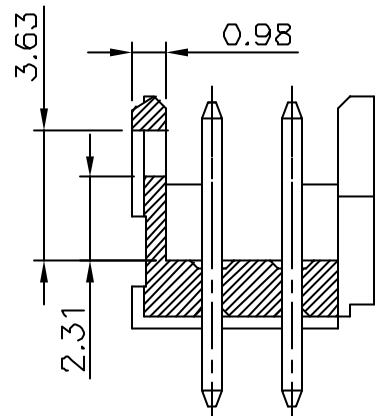
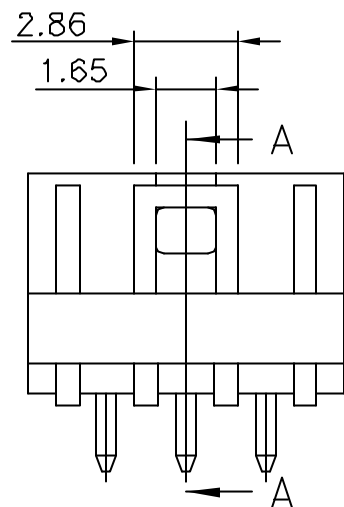
FCI CONFIDENTIAL

This document is the property of and embodies CONFIDENTIAL and PROPRIETARY information of FCI. No part of the information shown on this document may be used in any way or disclosed to others without the written consent of FCI. Copyright FCI.



FCIconnect.com

2x3 POS AND 2x4 POS CONFIGURATION
NO LATCHING AVAILABLE FOR 2x2 POS



2x5 POS UP TO 2x25 POS CONFIGURATION

LATCHING FEATURES WHEN USED IN COMBINATION
WITH ACTIVE LATCH HOUSING 10073599

mat'l. code		surface	tolerance	projection	product family
		ISO 1302 ✓	ISO 406 ISO 1101		MINITEK
ltr ecn no dr date		tolerances unless otherwise specified		mm	title
A	F08-0113	LMU	08.01.17	scale 1:1	SHR HEADER 2.00 mm VERTICAL PIP
		angles	linear		dwg no
			.X ±0.3		sheet 2 of
			.XX ±0.13		size
			.XXX ±0.05		A3
		dr	LMULIN	07.12.04	type
		engr	J.COMPAGNON	07.12.04	CUSTOMER Drawing
		chr			
		appd	JM.C	07.12.04	
sheet index	revision sheet				